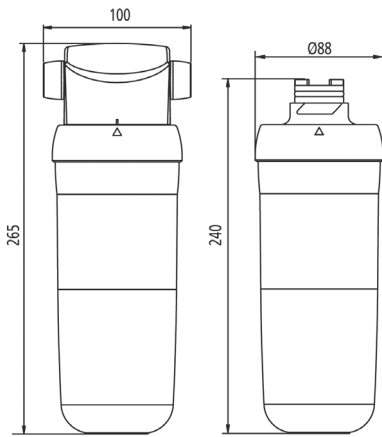


Data Sheet

Norit H2OK WaterSofteners



Dimensions & Weight

Overall length	240 mm
Overall diameter	Ø88 mm
Dry weight system	656 grams

Connection

To mains	3/8" BSP
----------	----------

Storage & Handling

- Keep dry during storage
- Protect against freezing after first use
- Handle with care; do not expose to shocks
- Disposable product; discard as regular waste

Product name Productcode

WaterSoftener+ 50	24.2.501
WaterSoftener+ 75	24.2.541

Packaging unit

24 pcs./box

Filterhead

Sold separately under productcode 24.2.901

Technology Ion Exchange Resin
Granular activated carbon (GAC)

Performance¹ Lifetime 6 months maximum
Flowrate 1.8 l/min
Rated capacity

Initial hardness		Product	Bypass	Residual hardness		Capacity	
°kH	PPM			°kH	PPM	liters	servings*
6	107	WaterSoftener+ 50	50%	3	54	700	3.500
8	143	WaterSoftener+ 50	50%	4	72	525	2.625
10	179	WaterSoftener+ 50	50%	5	90	420	2.100
12	215	WaterSoftener+ 50	50%	6	107	350	1.750
14	251	WaterSoftener+ 50	50%	7	125	300	1.500
16	286	WaterSoftener+ 50	50%	8	143	263	1.313
20	358	WaterSoftener+ 75	75%	5	90	140	700
24	430	WaterSoftener+ 75	75%	6	107	117	585
28	501	WaterSoftener+ 75	75%	7	125	100	500

* based on an average serving of 0.2 liters

Compliance	Chemical reduction ²	Herbicides & pesticides	> 80% (Atrazine & 2,4-D)
		Medicine residues	> 90% (Ethynylestradiol)
		Endocrine disrupting compounds	> 90% (Bisphenol-A)
Aesthetic & Mechanical effects ³		Chlorine reduction	> 95%
		Taste & odor improvement	
		Hardness reduction	
Material Safety		Extraction tests	NSF 61, WRAS, DGS & KTW approved
		Hydrostatic pressure	20.7 bar
Structural Integrity ⁴		Cyclic pressure	100K cycles of 10.4 bar at 20° C
		Burst pressure	27.6 bar at 20° C

Conditions of use	Max. operating pressure	6 bar
	Operating temperature	0 – 40° C
	Replace at least every	6 months
		Flush 5 liters before first use

¹ Product performance is dependent on incoming water conditions. ² Tested according to NSF 53.

³ Tested according to NSF 42. ⁴ Tested according to NSF general DWTU guidelines.

Limited warranty: Filtrix BV represents and warrants for the warranty period of one year that its products will be free from substantial defects in materials and workmanship. This warranty is subject to exclusions and limitations. For details on warranty and limitation of liability please refer to our warranty sheet.

Disclaimer: The information and data contained in this document are based on our general experience and are believed to be correct. They are given in good faith and are intended to provide a guideline for the selection and use of our products. Since the conditions under which our products may be used are beyond our control, this information does not imply any guarantee of final product performance and we cannot accept any liability with respect to the use of our products. The quality of our products is guaranteed under our conditions of sale. Existing industrial property rights must be observed.



Filtrix BV
Siliciumweg 28 • 3812 SX Amersfoort • The Netherlands
T +31 33 422 04 40 • F +31 33 422 04 41
E info@filtrix.com • I www.filtrix.com
Please visit our website to obtain information about your local support.

Norit H2OK WaterSofteners

Norit
leading in purification

Filtrix